

Electric duct heater

- Reheater to ensure uniform supply air temperature
- Preheater to prevent frost formation in the heat exchanger
- Modulating heater that only uses precisely the amount of energy needed



On/off heater - without wiring



Modulating heater - with factory-installed signal cable and 230 V plug

The electric duct heater can be used in ventilation systems where there is a need for additional heat in the form of preheating or reheating. The heater is available with Ø125, Ø160, Ø200 or Ø250 mm duct connections. The heater is available in an on/off version (suitable for all Genvex Optima controllers) or as a modulating version (suitable for alle Genvex ventilations units from year 2020 and on, except Premium Preheat units). The Ø125 heater can optionally be configured for heat outputs of 300, 600 or 900 W. Ø160, Ø200 and Ø250 can be optionally configured in 300 W increments from 300 to 1800 W.

By selecting the modulating preheater, it will be possible to always precisely adapt the fresh air/supply air temperature to the demand, resulting in energy savings. As a guideline, the energy consumption when using a modulating preheater will be approx. 20% of the energy consumption of an on/off solution (based on a Danish standard reference year and activation of the preheater at -3°C, 900 W configuration and an air volume of 216 m³/h).

The duct heater is made of hot-dip galvanised sheet metal and fitted with rubber sealing rings at each end. The junction box is also made of hot-dip galvanised sheet containing M20 PG connections for wiring. It has a protection class rating of IP44. The heater is fitted with a safety thermostat that automatically switches off the power if the temperature exceeds 50°C. When the temperature drops, the heater automatically re-engages. For extra safety, there is a built-in thermal fuse, which cuts out if the temperature exceeds 100°C. Re-engagement must be performed manually. The duct heater is fitted with heating elements made of AISI 304 (stainless steel). To prevent the heating elements overheating, a minimum velocity of 1 m/s through the duct is recommended.

Accessories

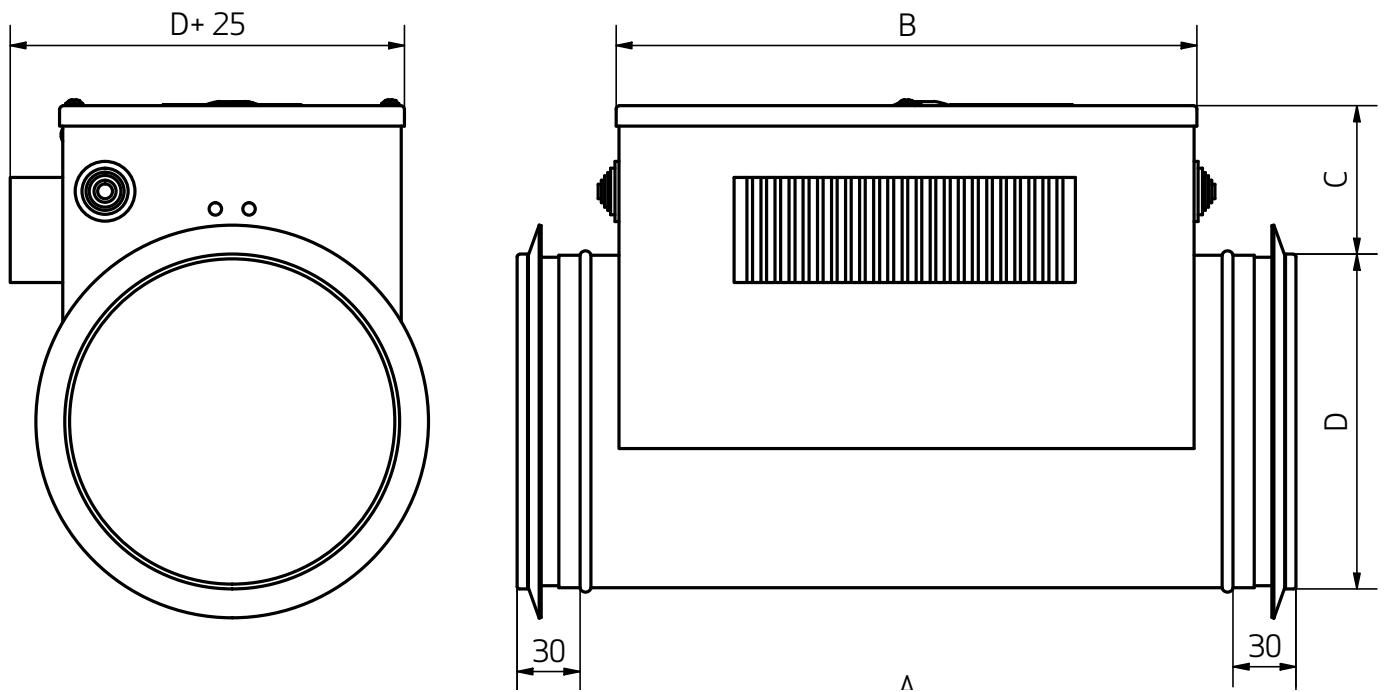
- Additional temperature sensor for the Optima controller
 - 2.2 metres - item no. 045132
 - 4.0 metres - item no. 045135



Overview of electric heaters

Details/ duct dimensions	Ø125 (900 W)	Ø160 (670 W)	Ø160 (1800 W)	Ø200 (1800 W)	Ø250 (1800 W)
On/off (Genvex item number)	063222	063274	063220	063224	63225
Modulating (Genvex item number)	063223	-	063221	-	-

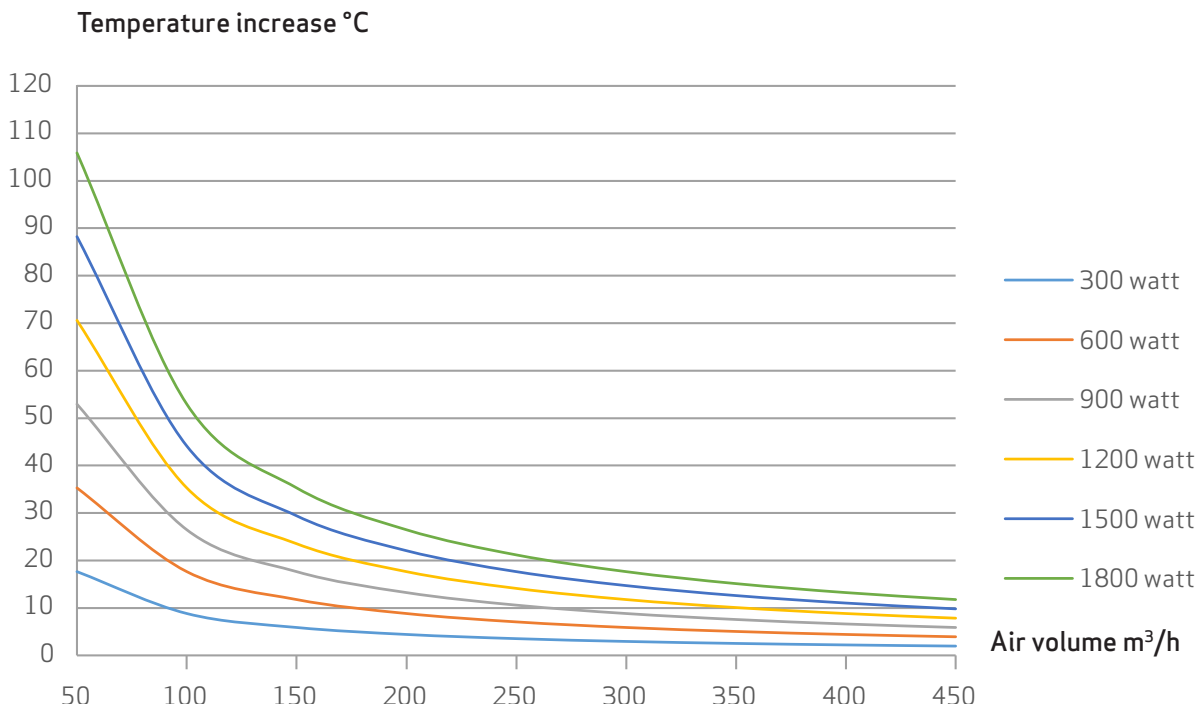
Dimensioned sketch



Dimensions

Duct heater	A (mm)	B (mm)	C (mm)	D (mm)
EKA 125	370	276	71	125
EKA 160	370	276	71	160
EKA 200	370	276	71	200
EKA 250	370	276	71	250

Capacity



The diagram shows the temperature increase that the air achieves at different air volumes after it has passed through the heater. To ensure the lowest possible energy consumption, the lowest possible power should be selected (this primarily applies to the on/off heater).

Contact us

